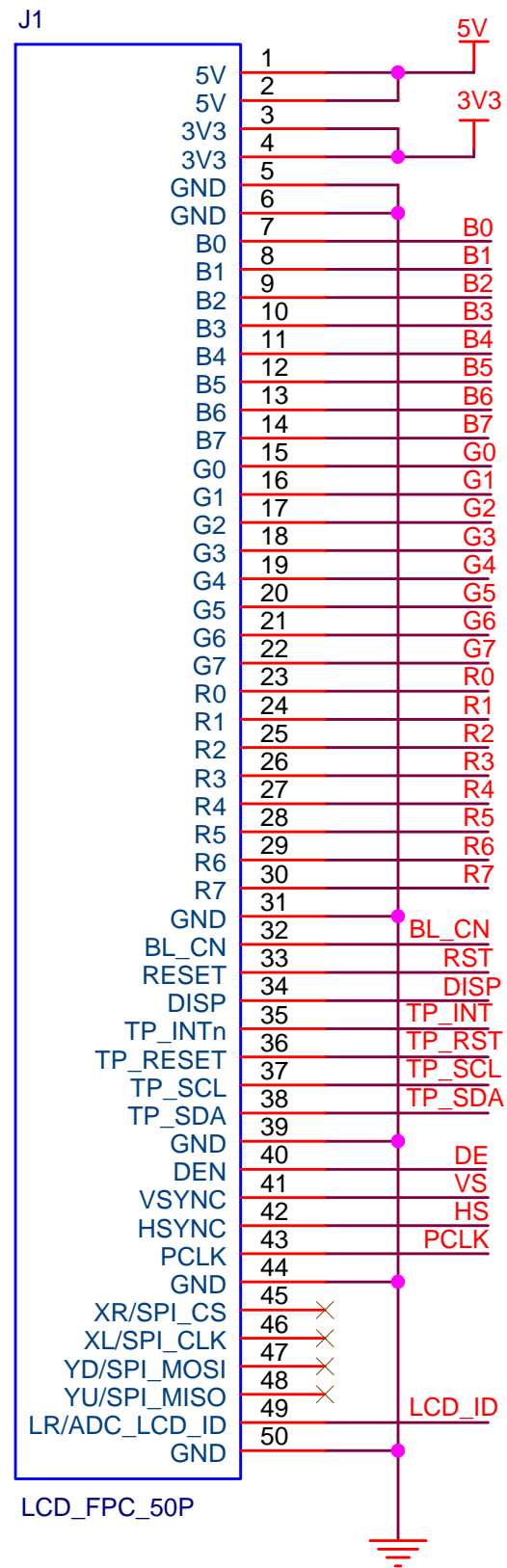
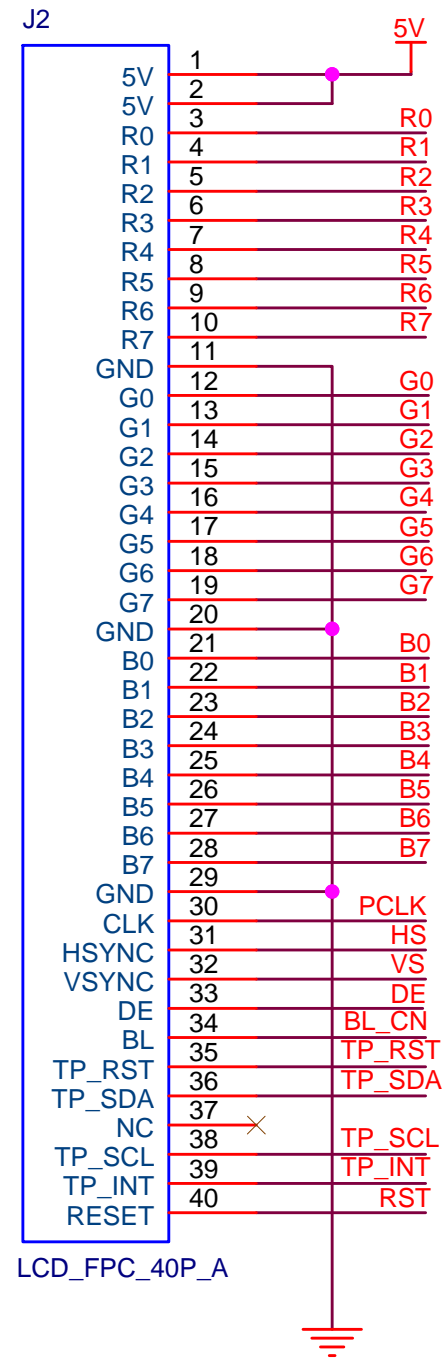


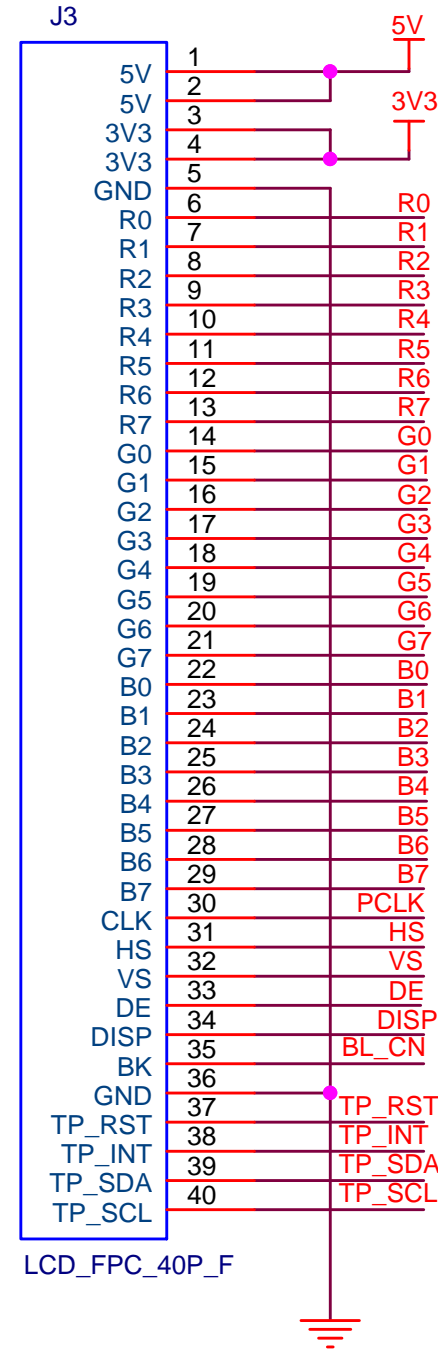
# FPC 接口 1



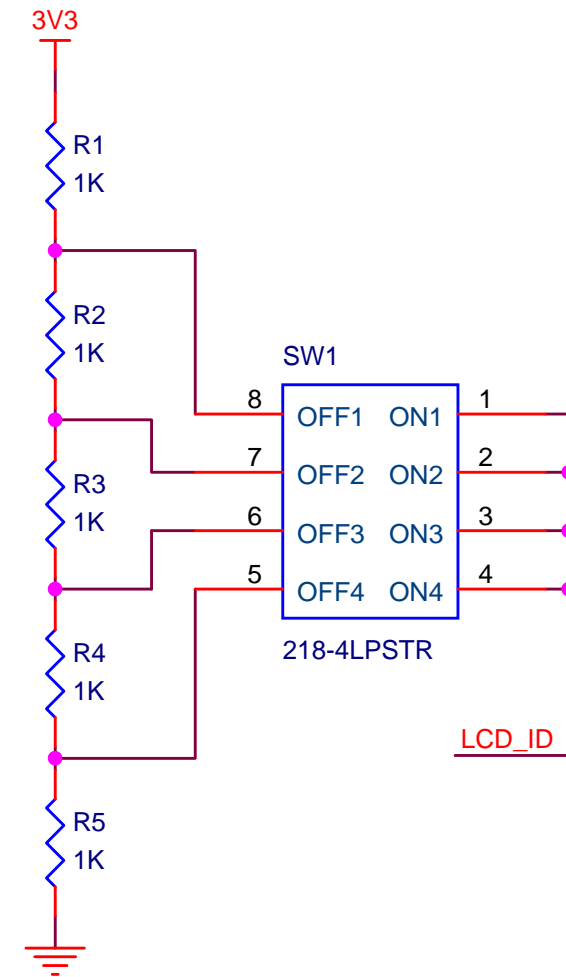
# FPC 接口 2



# FPC 接口 3



# LCD 型选择



Title		
<Title>		
Size	Document Number	Rev
A	<Doc>	<RevCode>
Date:	Tuesday, December 24, 2019	Sheet 1 of 1