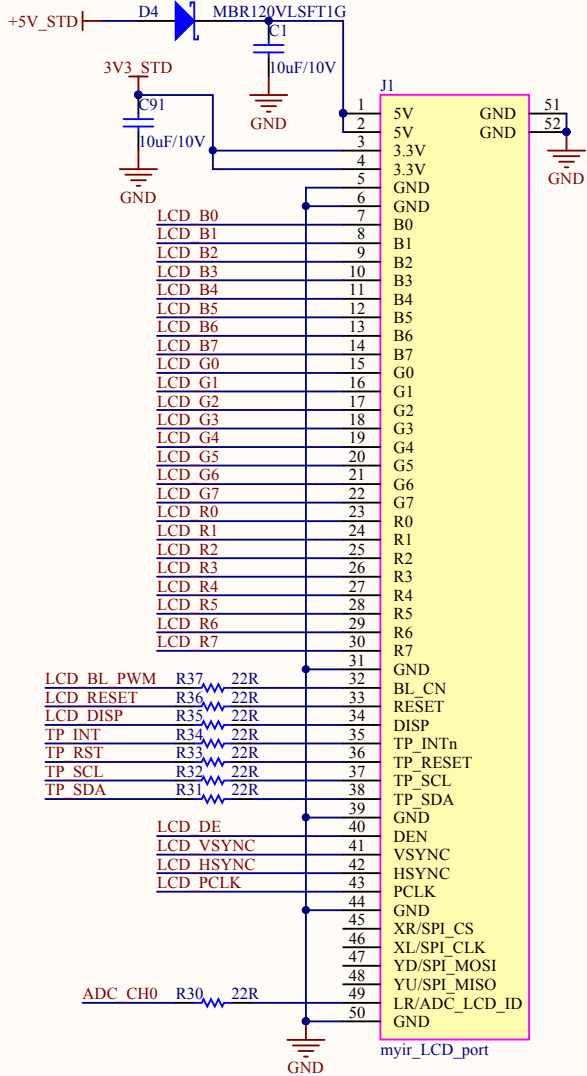
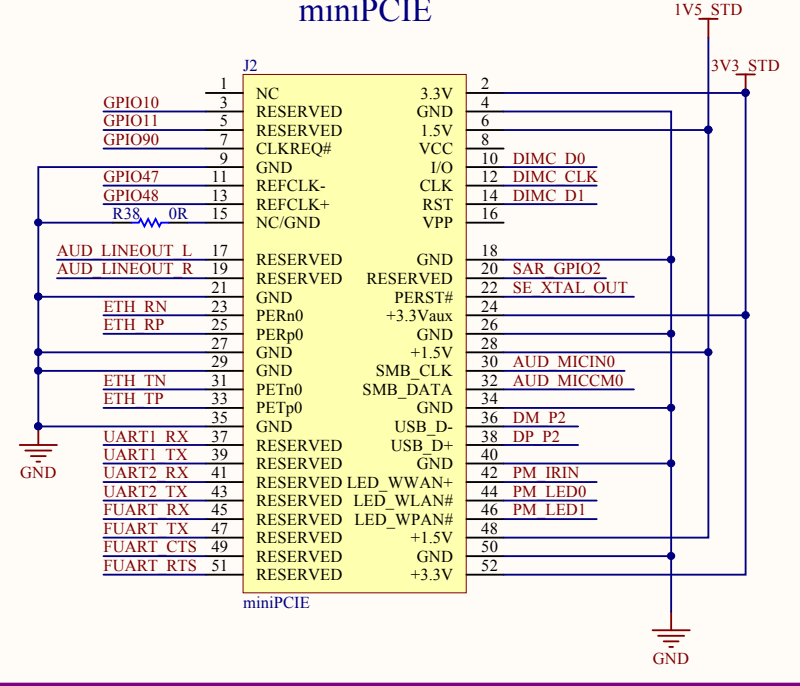


LCD INTERFACE



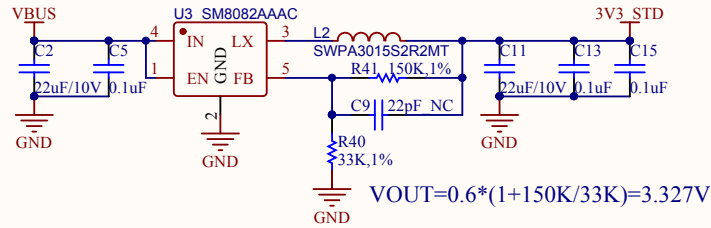
TTL0	R29	22R	LCD R0
TTL1	R28	22R	LCD R1
TTL2	R27	22R	LCD R2
TTL3	R26	22R	LCD R3
TTL4	R25	22R	LCD R4
TTL5	R24	22R	LCD R5
TTL6	R23	22R	LCD R6
TTL7	R22	22R	LCD R7
TTL8	R21	22R	LCD G0
TTL9	R20	22R	LCD G1
TTL10	R19	22R	LCD G2
TTL11	R17	22R	LCD G3
TTL12	R16	22R	LCD G4
TTL13	R15	22R	LCD G5
TTL14	R14	22R	LCD G6
TTL15	R13	22R	LCD G7
TTL16	R12	22R	LCD B0
TTL17	R11	22R	LCD B1
TTL18	R10	22R	LCD B2
TTL19	R9	22R	LCD B3
TTL20	R8	22R	LCD B4
TTL21	R7	22R	LCD B5
TTL22	R6	22R	LCD B6
TTL23	R5	22R	LCD B7
TTL24	R4	22R	LCD PCLK
TTL25	R3	22R	LCD HSYNC
TTL26	R1	22R	LCD VSYNC
TTL27	R47	22R	LCD DE

miniPCIE

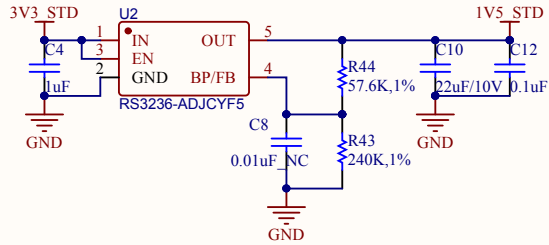


Title		
Size	Number	Revision
A4		
Date:	2021/11/6	Sheet of
File:	D:\项目兼职\LCD_MINIPCIE.SchDoc Drawn By:	

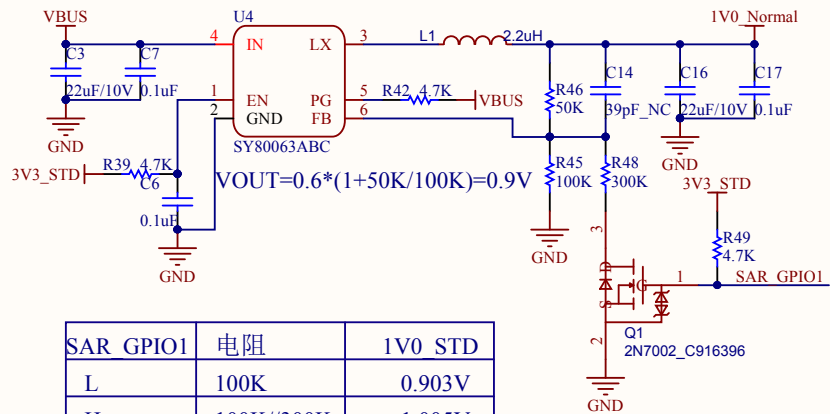
DC 3V3 POWER



DC 1V5 DDR3 POWER

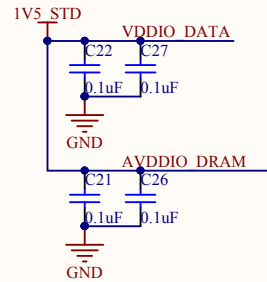


DC 1V0 Core POWER

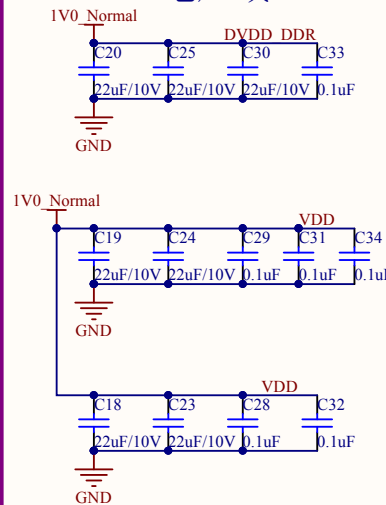


SAR GPIO1	电阻	1V0 STD
L	100K	0.903V
H	100K//300K	1.005V

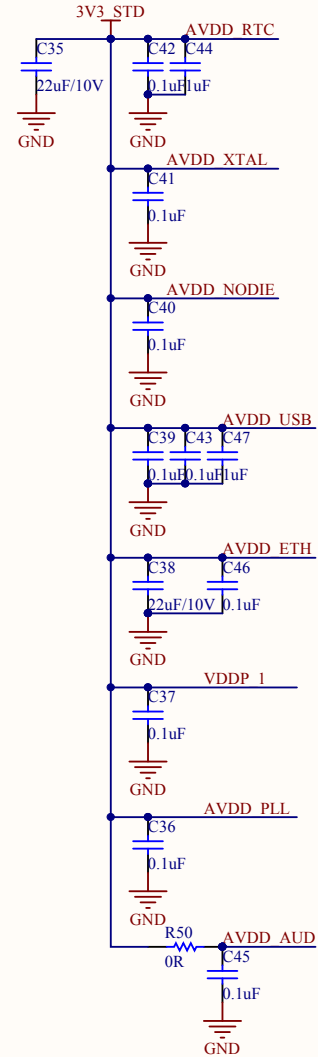
1.5V电压域



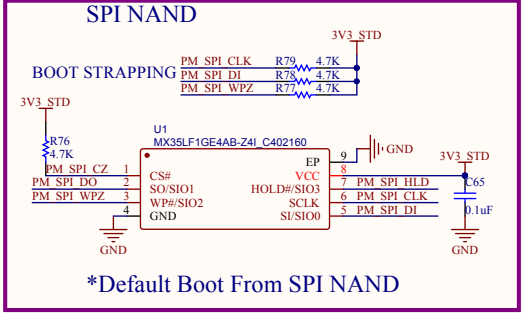
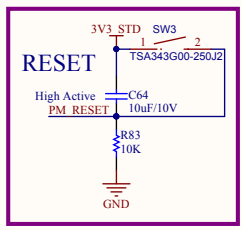
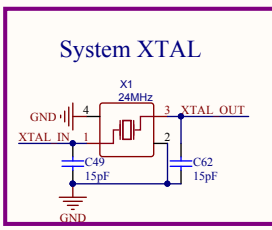
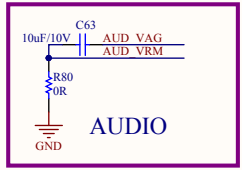
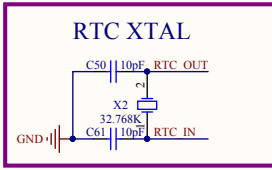
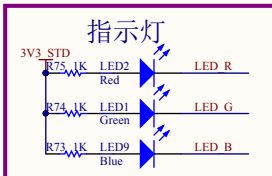
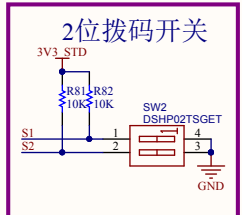
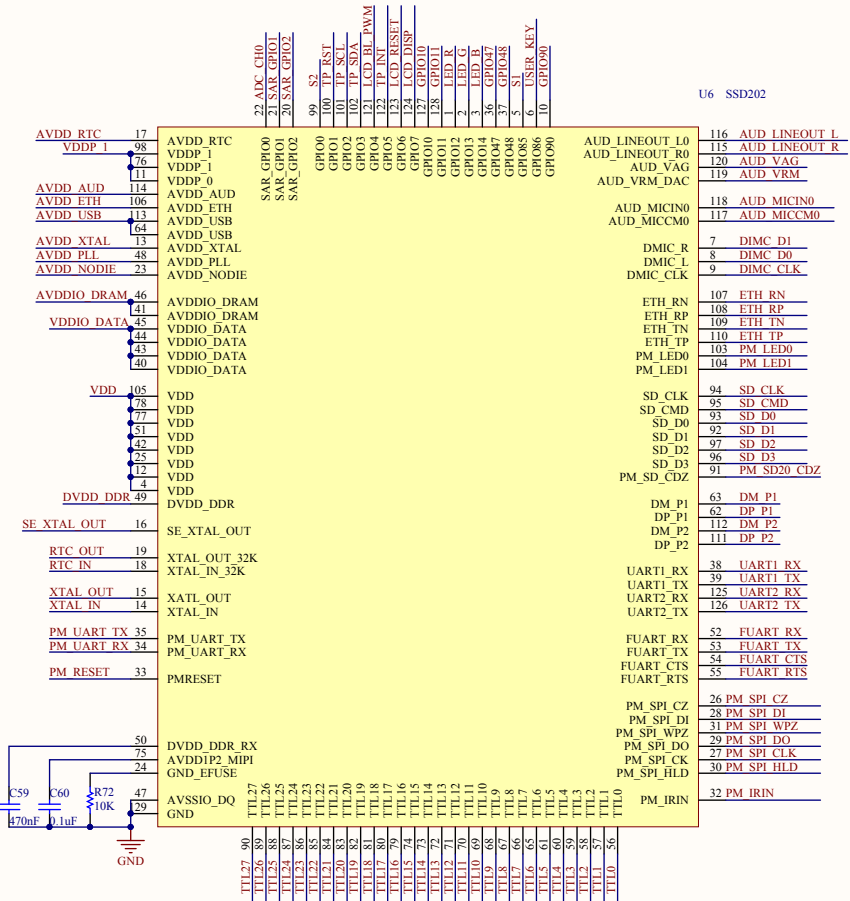
1.0V电压域



3.3V电压域

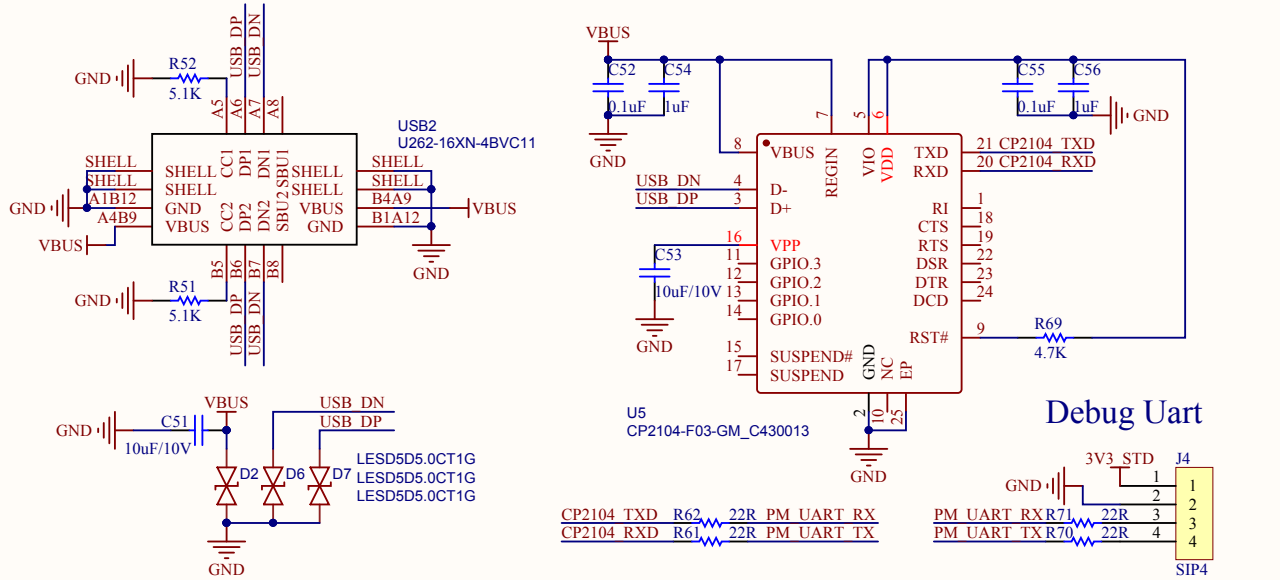


Title		
Size	Number	Revision
A4		
Date:	2021/11/6	Sheet of
File:	D:\项目兼职\POWER.SchDoc	Drawn By:

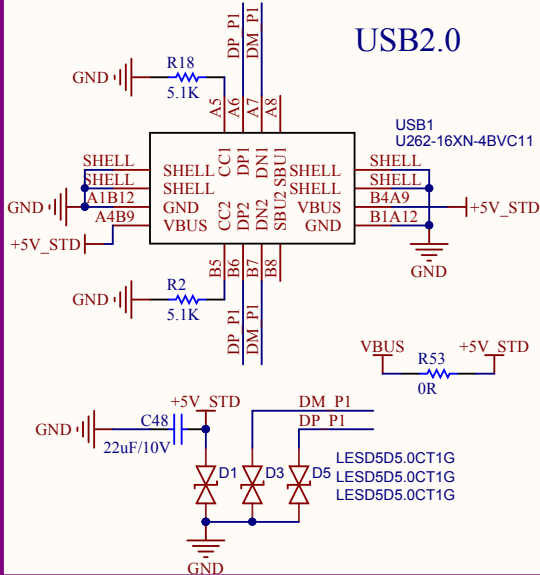


Title		
Size	Number	Revision
A3		
Date:	2021/11/6	Sheet of
File:	D:\项目\兼职\SSD202\SchDoc	Drawn By:

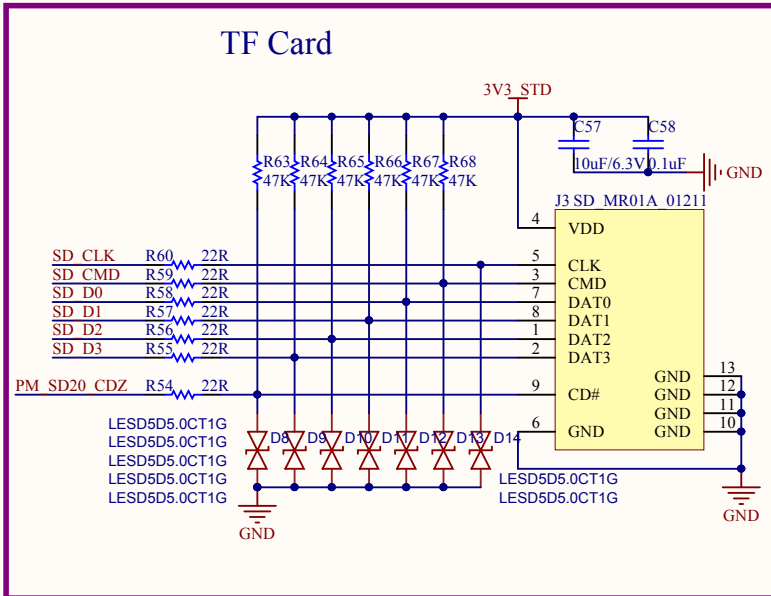
CP2104 & DEBUG



USB2.0



TF Card



Title		
Size	Number	Revision
A4		
Date:	2021/11/6	Sheet of
File:	D:\项目兼职\USB CP2104 TF.SchDoc Drawn By:	