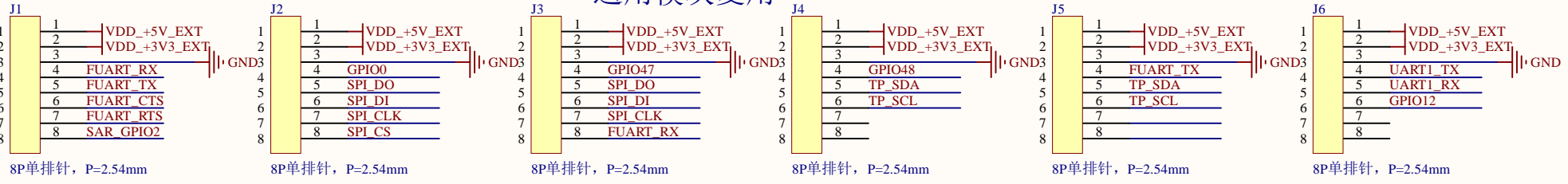
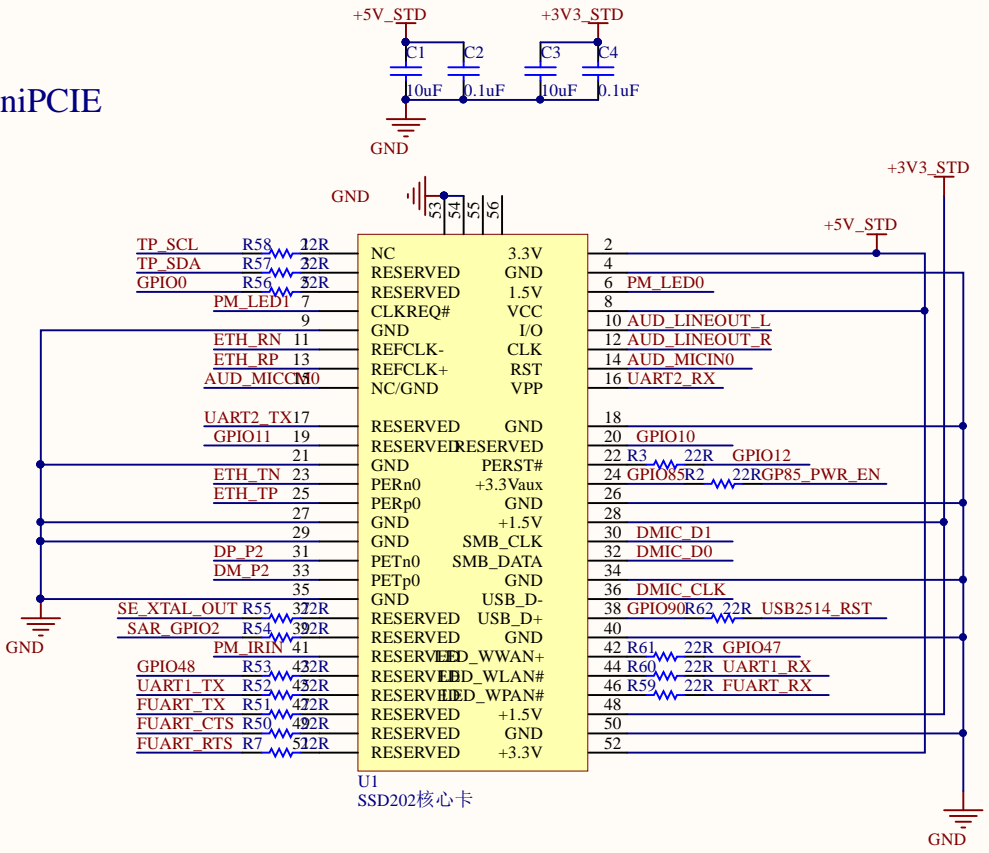


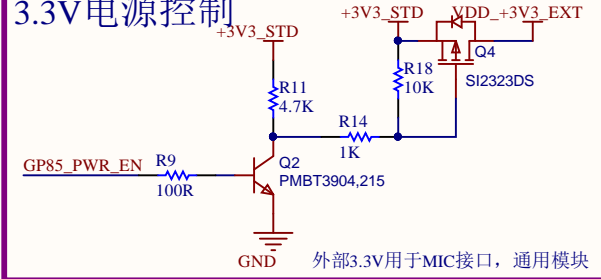
通用模块复用



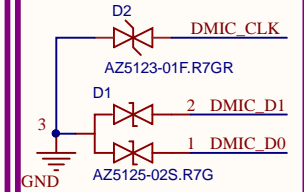
miniPCIE



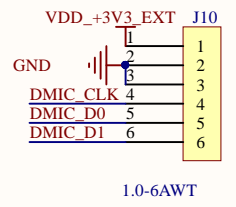
3.3V电源控制



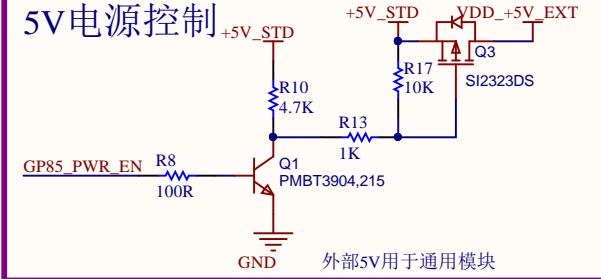
DMIC扩展



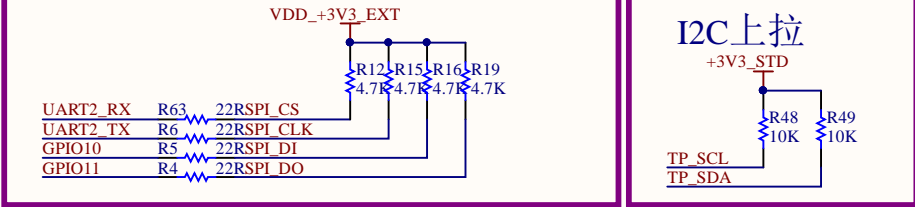
DMIC_ESD保护



5V电源控制



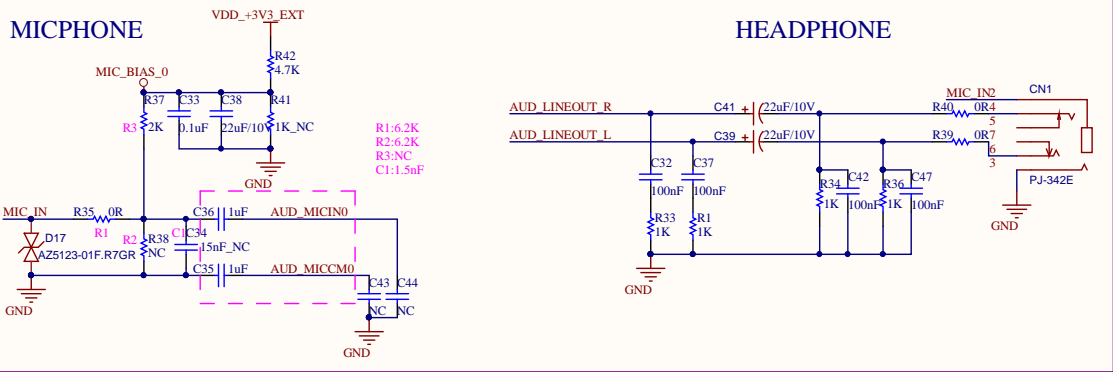
I2C上拉



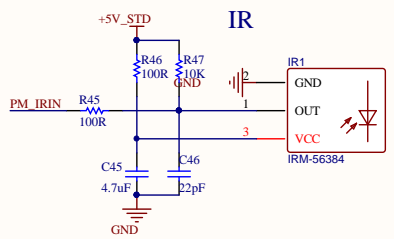
Title		
Size	Number	Revision
A4		
Date:	2022/1/25	Sheet of
File:	H:\东山I1壹号开发板\...MINIPCIE.SchDoc	
		Drawn By:

MICPHONE

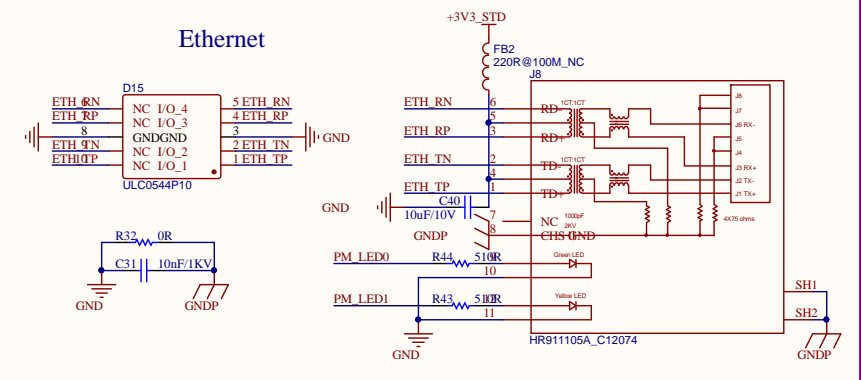
HEADPHONE



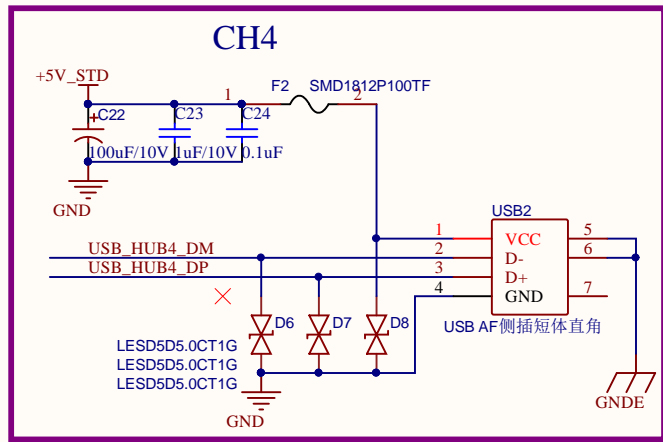
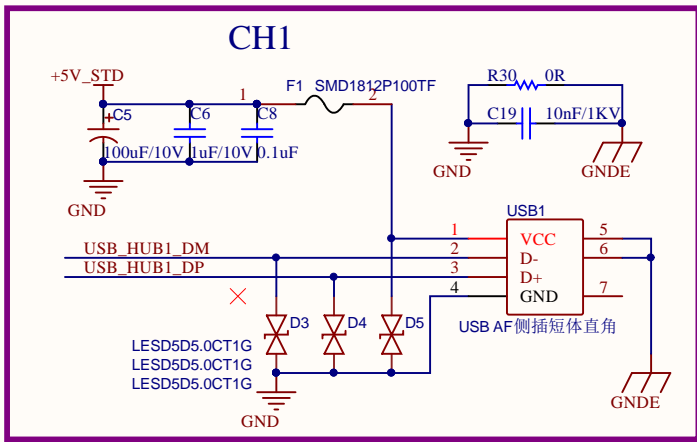
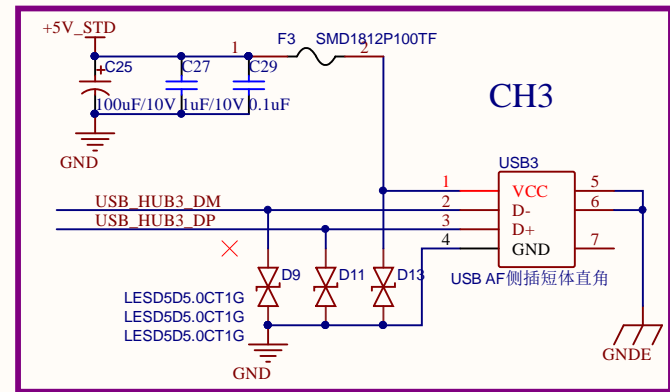
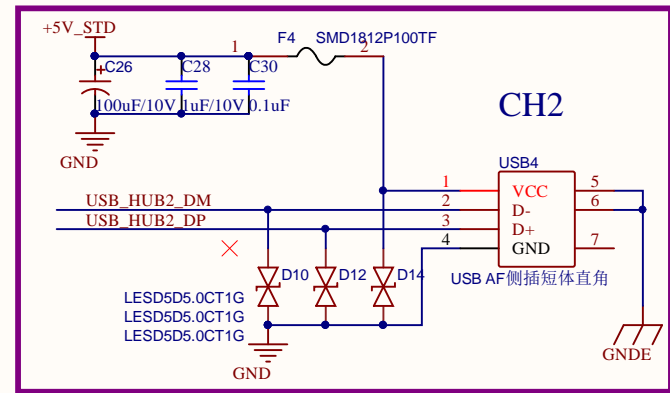
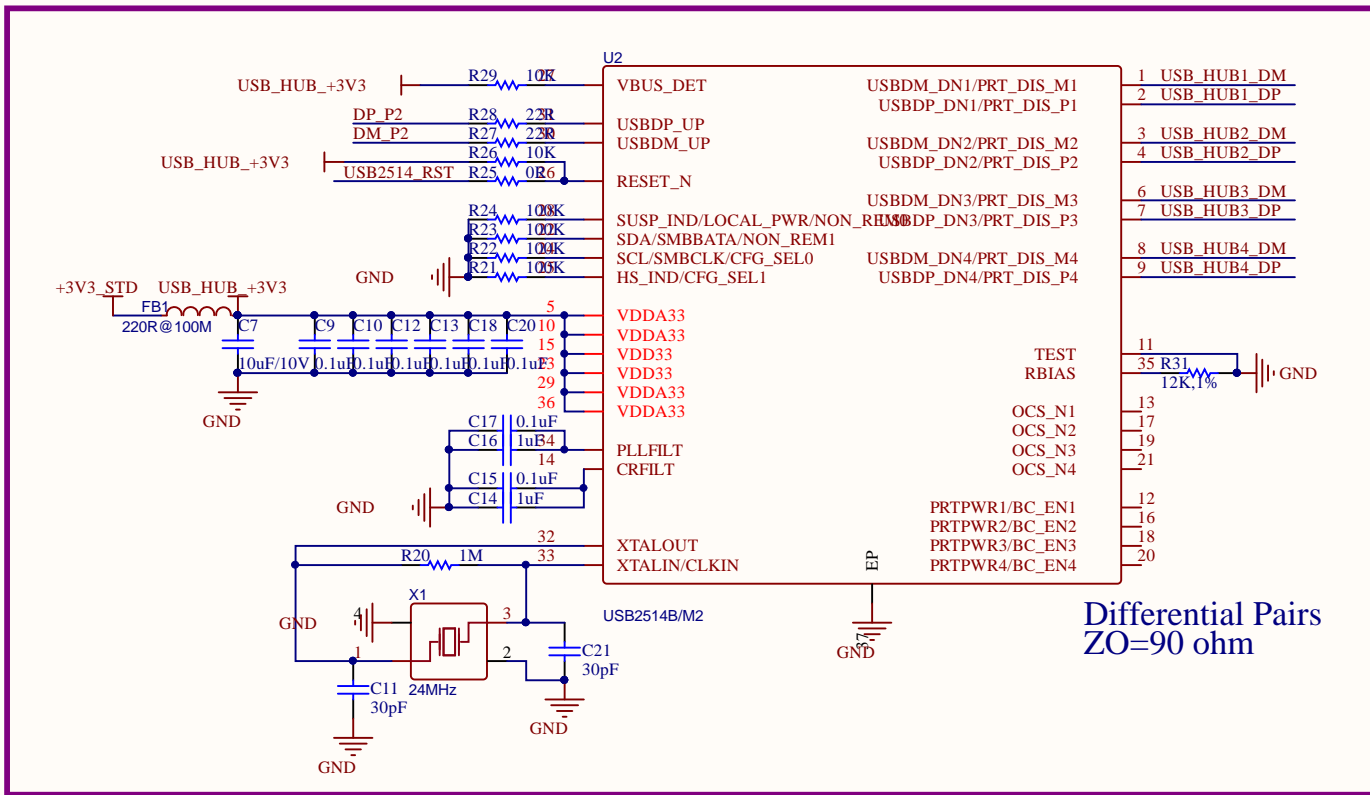
IR



Ethernet



Title		
Size A3	Number	Revision
Date: 2022/1/25	Sheet of	
File: H:\东山内鼓号开发板\PERIPHERAL	Drawn By:	



Title		
Size	Number	Revision
A4		
Date:	2022/1/25	Sheet of
File:	H:\东山IT壹号开发板\...USB_HUB.Sch	
		Drawn By: