

Title		
Size	Number	Revision
A4		
Date:	2023/3/9	Sheet of
File:	H:\100ask-T113&D1s-Pro开发板\4G E020S.SchDoc	

Analog Video

YELLOW

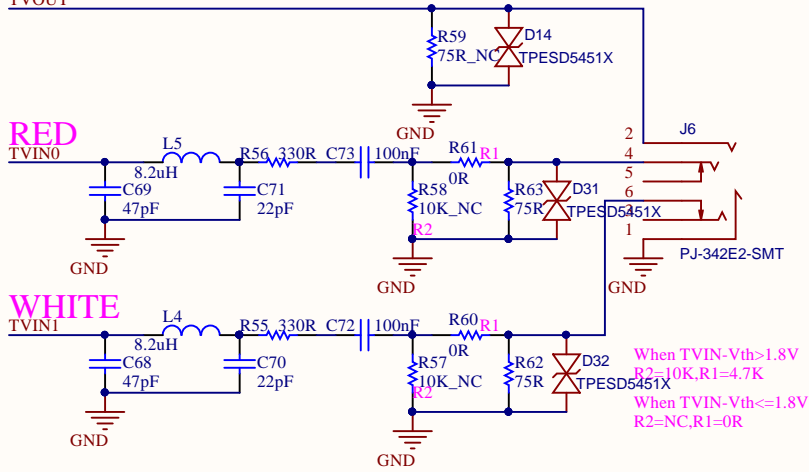
TVOUT

RED

TVINO

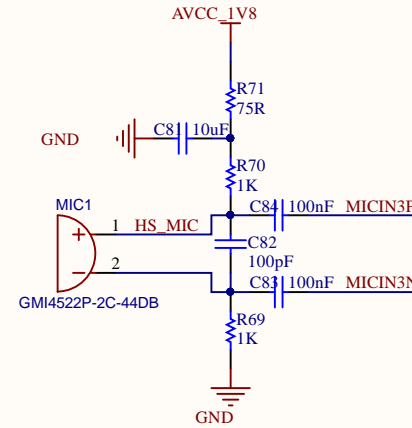
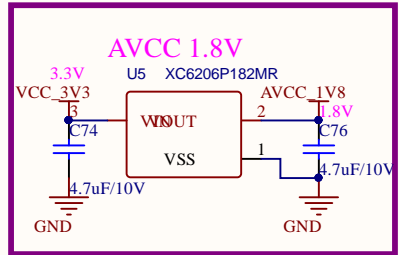
WHITE

TVINI

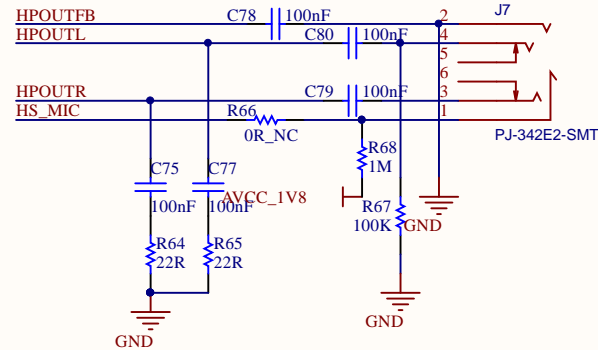


AUDIO

驻极体电容咪头



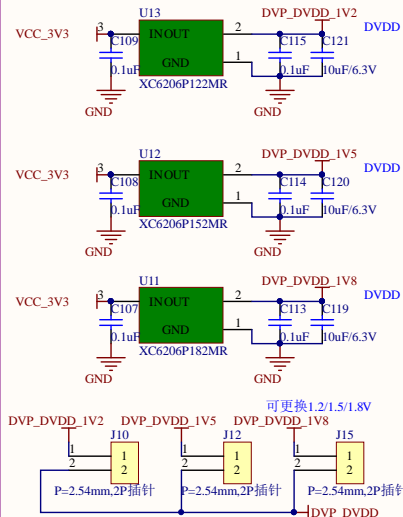
3.5mm插座（可通过电阻选择是否有MIC）



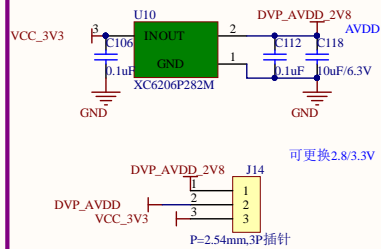
Title		
Size A4	Number	Revision
Date: 2023/3/9	Sheet of	
File: H:\100ask-T113&D1s-Pro开发板\AUDIO\SchDoc		

针对不同的摄像头，跳线到不同的电压

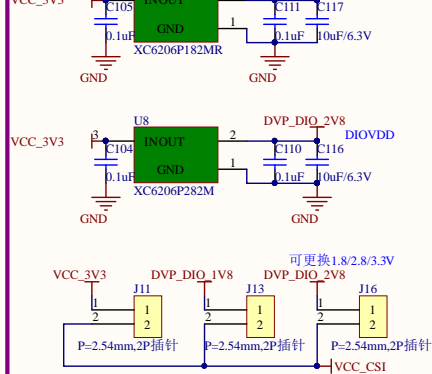
DVP DVDD电源



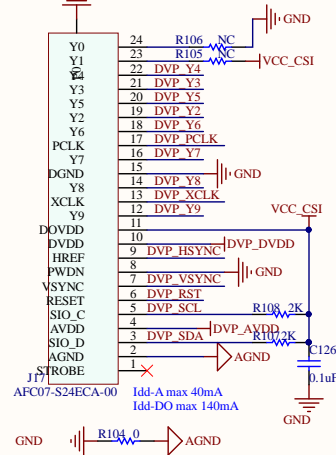
DVP AVDD电源



DVP DIO电源



摄像头模块24P FPC

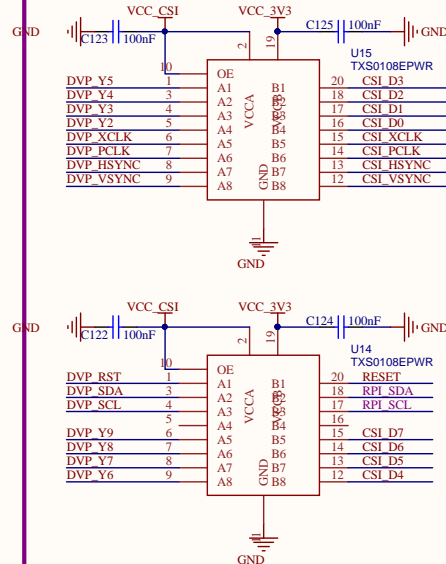


不同CSI接口电平转换

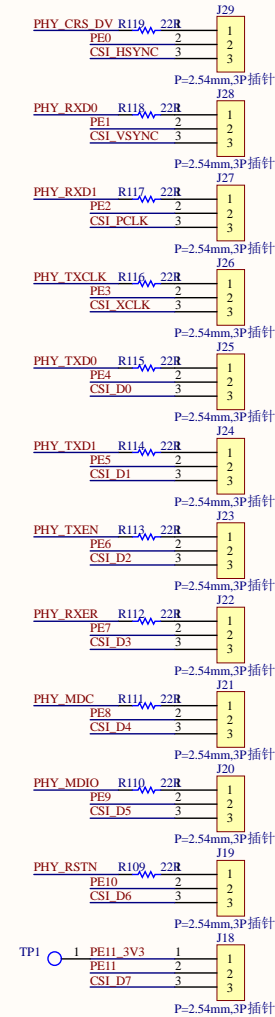
Push-Pull:60M bps
OPEN Drain:2M bps
VCCA<=VCCB

CAMERA侧

SOC侧

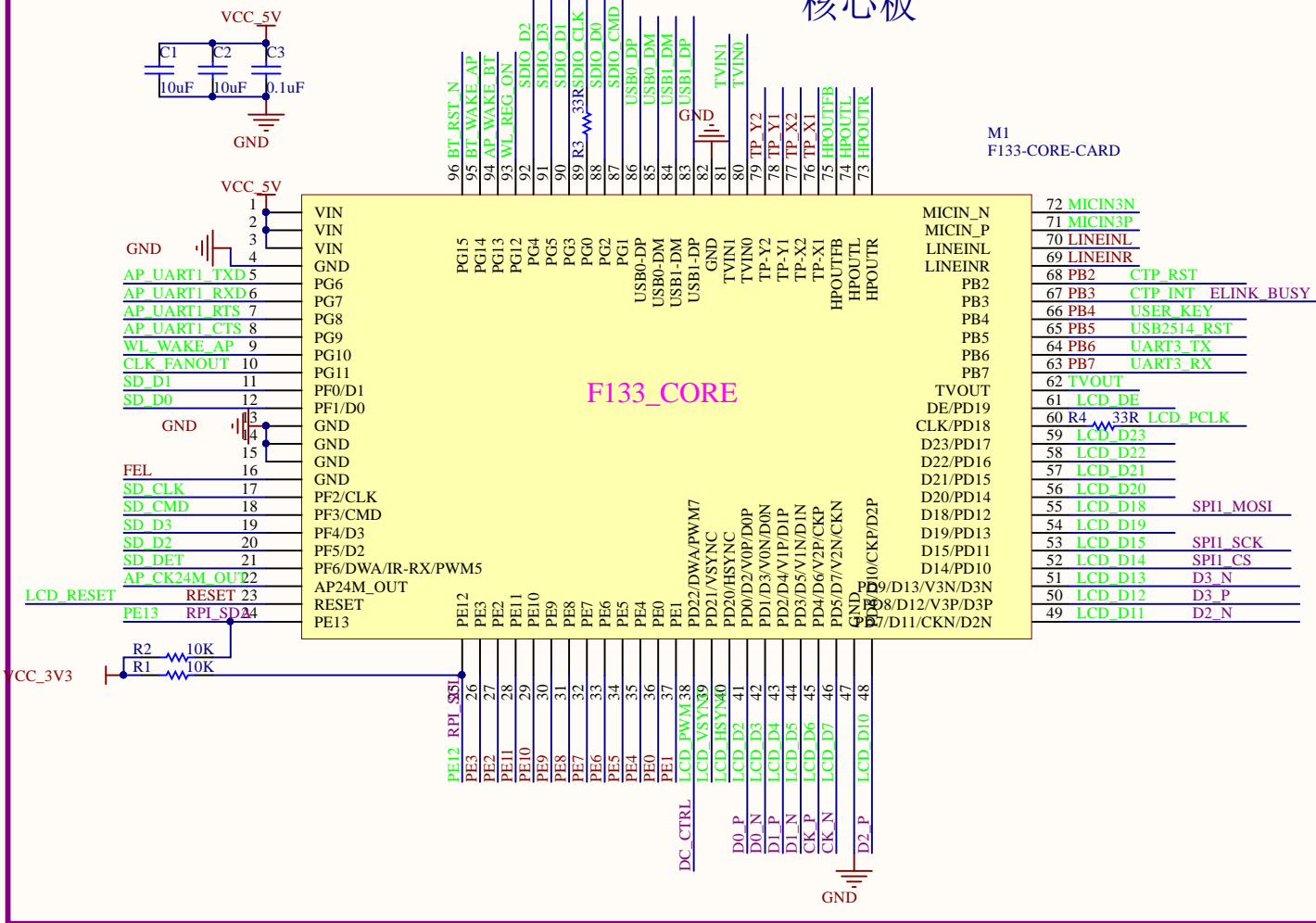


CAMERA接口或者RMII网络接口 二选一

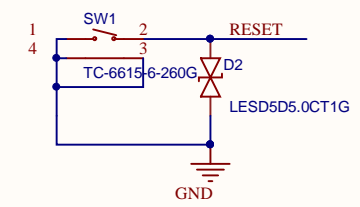


Title		
Size	Number	Revision
A3		
Date:	2023/3/9	Sheet of
File:	H:\100task-T113&D1s-Pro开发板\CSL\DW8R1BVC.E.SchDoc	

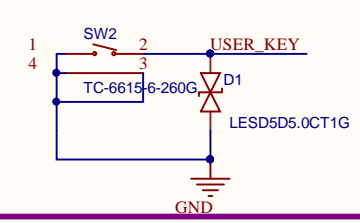
核心板



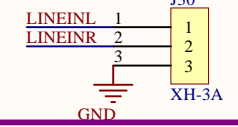
RESET



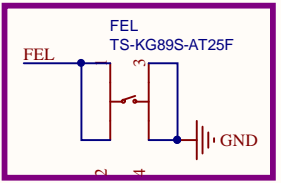
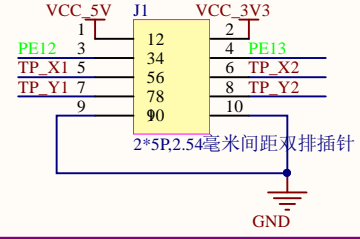
USER KEY



音频扩展接口

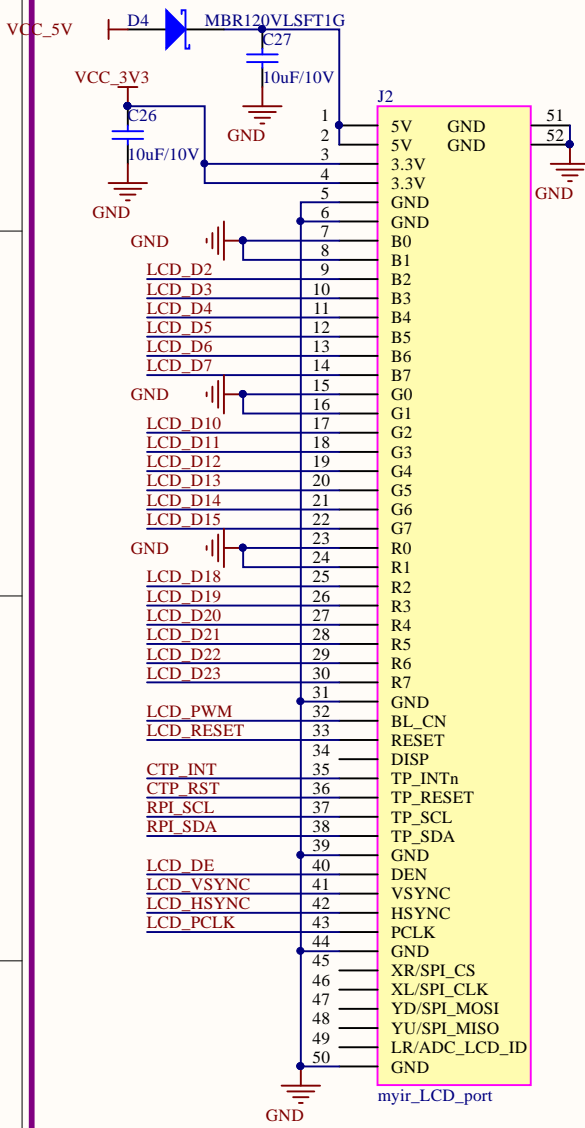


扩展接口

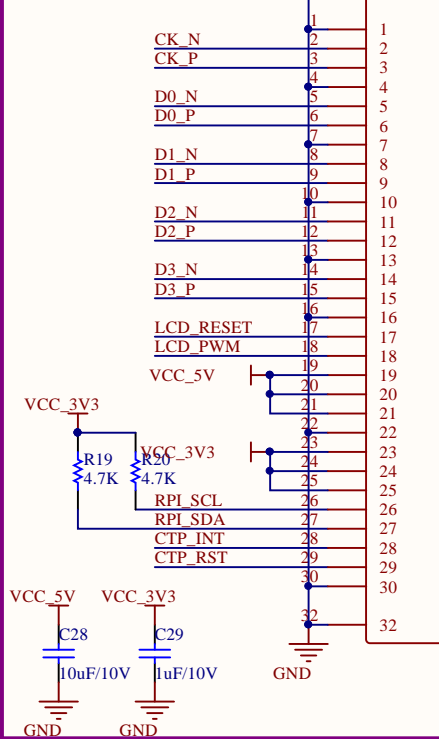


Title		
Size	Number	Revision
A4		
Date:	2023/3/9	Sheet of
File:	H:\100ask-T113&D1s-Pro开发板\F133_CORE\INTERFACE.SchDoc	

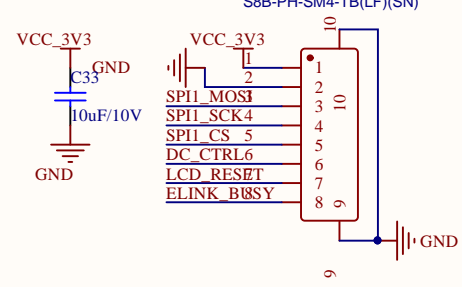
RGB LCD INTERFACE



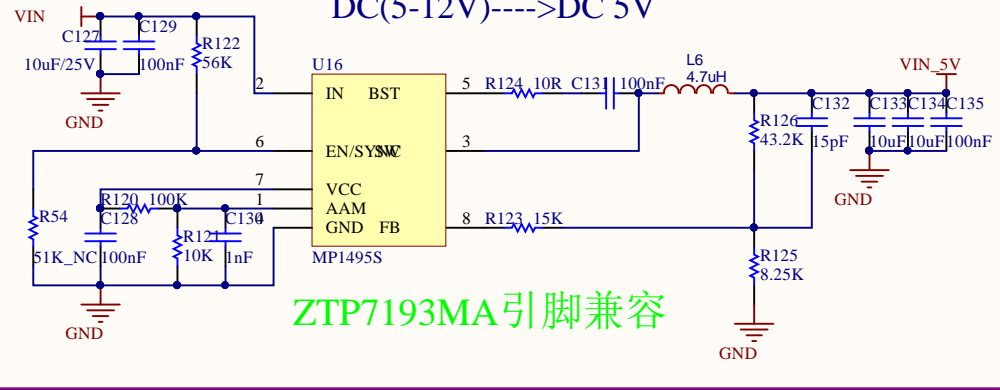
DSI



ELINK墨水屏

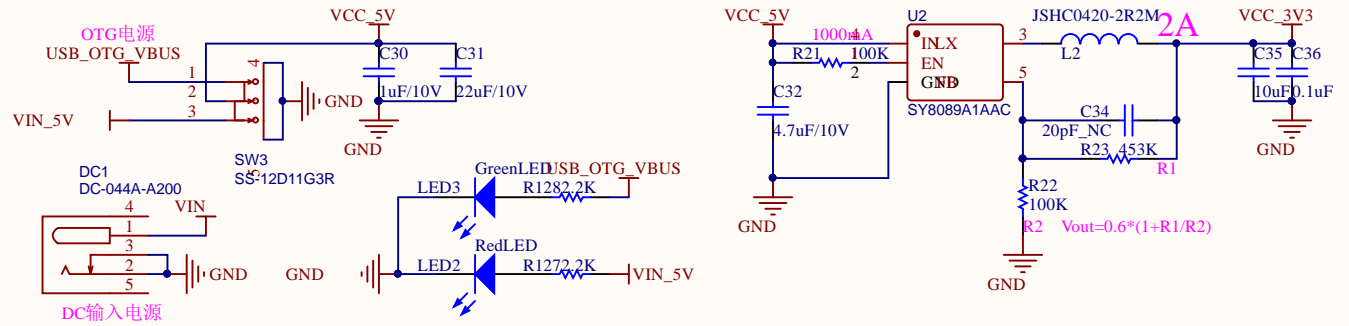


DC(5-12V)---->DC 5V

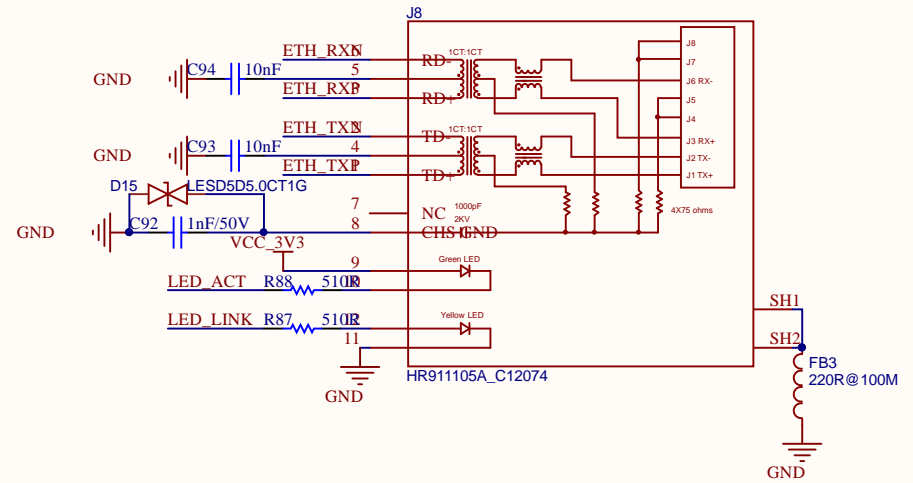
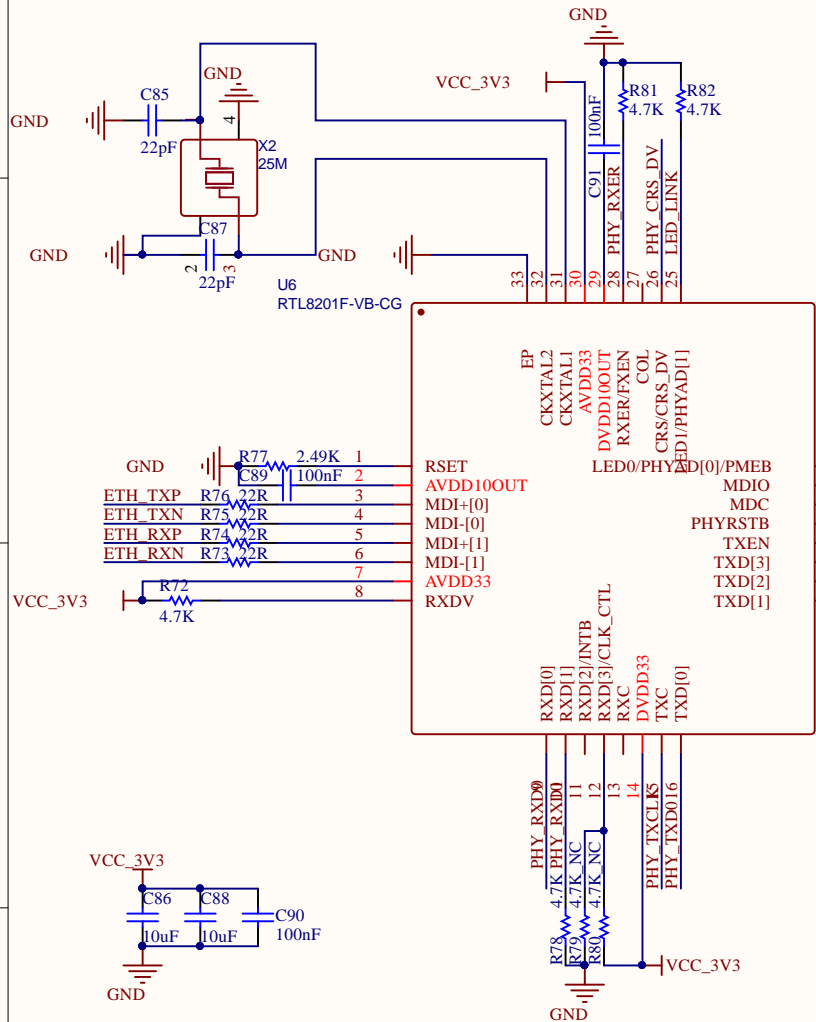


ZTP7193MA引脚兼容

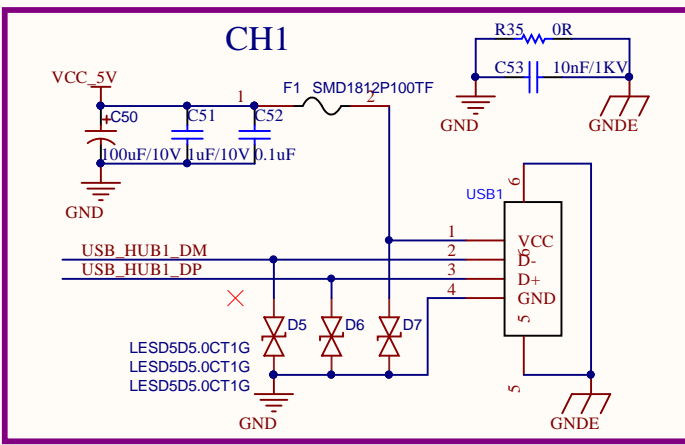
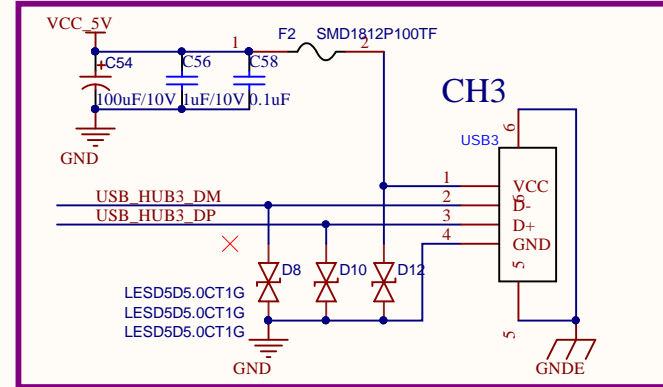
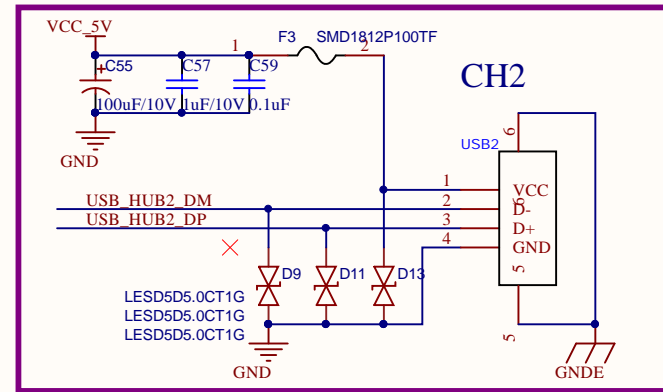
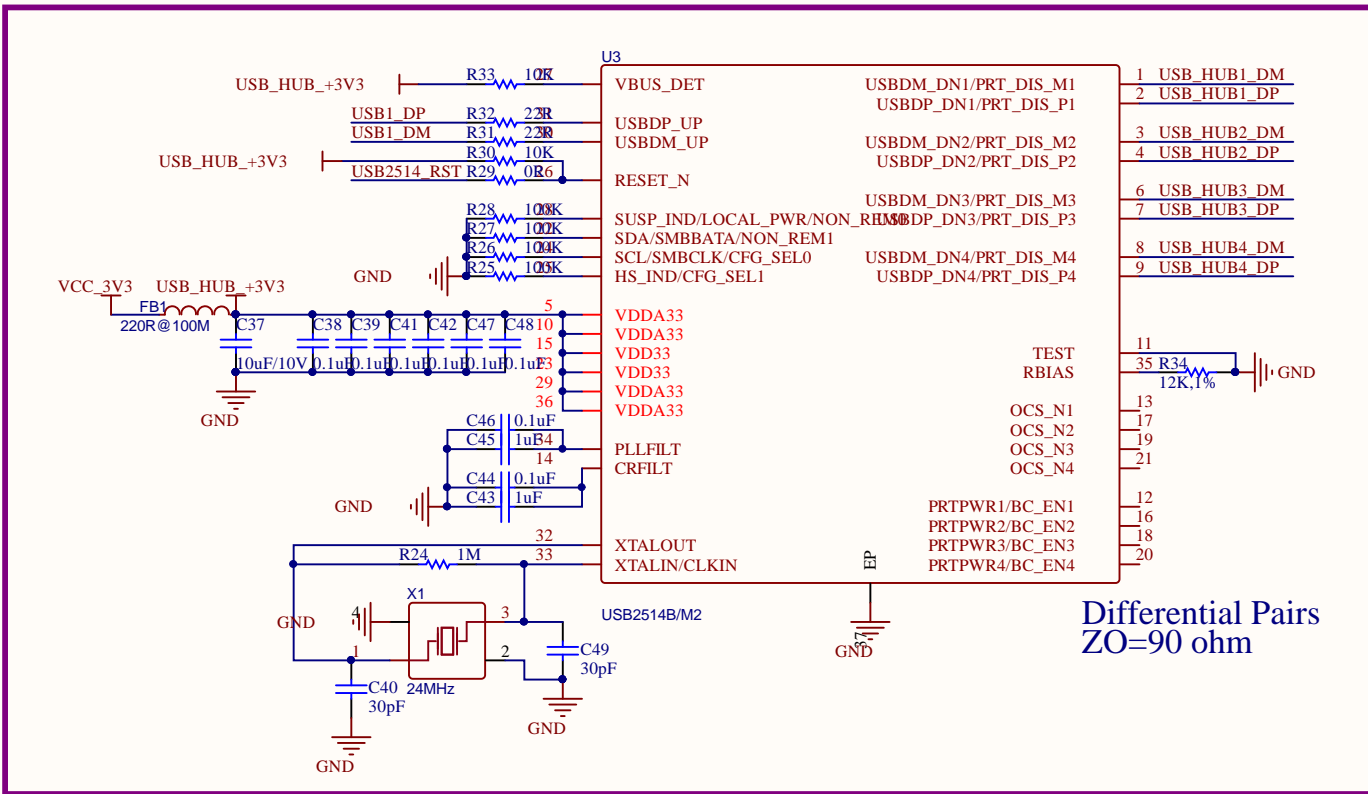
PWR



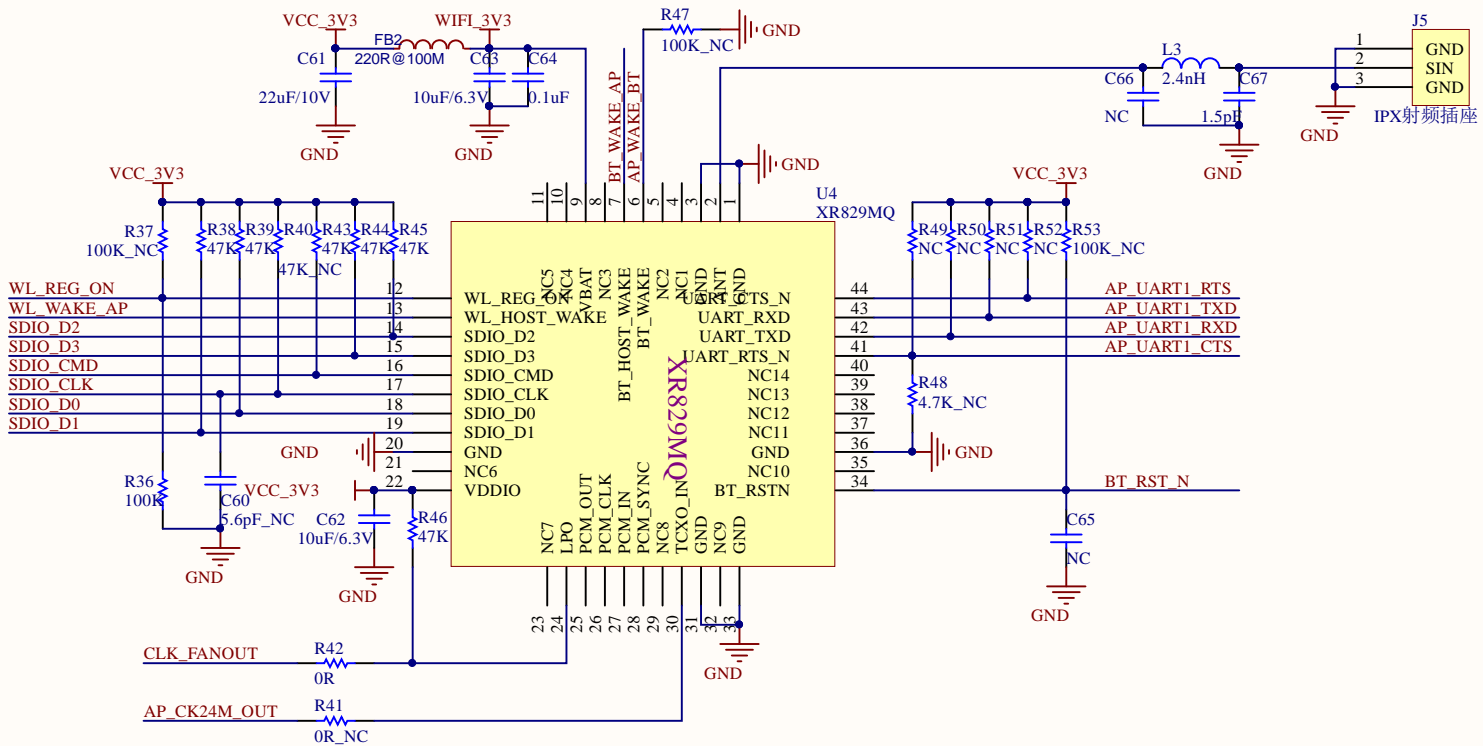
Title		
Size	Number	Revision
A4		
Date:	2023/3/9	Sheet of
File:	H:\100ask-T113&D1s-Pro开发板\LCD_DMI1 DSI&ELINK&PWR.SchDoc	



Title		
Size	Number	Revision
A4		
Date:	2023/3/9	Sheet of
File:	H:\100ask-T113&D1s-Pro开发板\RTL8201F-VB-CG	Doc



Title		
Size	Number	Revision
A4		
Date:	2023/3/9	Sheet of
File:	H:\100ask-T113&D1s-Pro开发板\USB Hub\USB Hub.Doc	



Title		
Size	Number	Revision
A4		
Date:	2023/3/9	Sheet of
File:	H:\100ask-T113&D1s-Pro开发板\WiFi\XR829MQ.SchDoc	